

Muto Premium XL150/80/120  
Muto Comfort L80  
Fixed Panel ONLY - Ceiling mount

**Installation instructions**

936020 – 05-2018

| EN |

dormakaba 

# Table of contents

<b>1</b>	<b>Technical specifications</b>	<b>3</b>
1.1	Overview	3
	1.1.1 General information	3
	1.1.2 Intended use	3
	1.1.3 Glass requirements and fittings	3
	1.1.4 Requirements for glass panel	3
	1.1.5 Safety instructions	3
	1.1.6 Symbols used - Safety/Installation	3
	1.1.7 Maintenance, care, repair	3
	1.1.8 Disposal	3
1.2	Tempered laminate glass (TLG) and adhesive specifications	4
<b>2</b>	<b>Installation instructions</b>	<b>5</b>
2.1	Overall	5
2.2	Securing gasket to track	6
2.3	Secure sidelite section profile to track and mounting surface	7
2.4	Door/wall dimensions	8
2.5	Installing U-channel for sidelite	9
2.6	Installing sidelite glass	9
2.7	Installing sidelite glass gasket	10
2.8	Install cover clips	10
2.9	Install view protection clips	11
2.10	Cover spacers	11
2.11	Install cover and view protection profile	12
2.12	Install end caps	12

# 1 Technical specifications

## 1.1 Overview

These instructions are for installation of MUTO PREMIUM and COMFORT sliding door system XL150/80/120 / L80 for the following mounting and style versions:

### 1. Ceiling mount

#### 1.1.1 General information

- dormakaba requires use of tempered monolithic or tempered laminated glass.
- dormakaba glass hardware is not suitable for application in rooms where chemicals (e.g. chlorine) are used as indoor swimming pools, saunas or salt-water pools.
- Never move sliding panels faster than walking speed and always stop the door manually before it reaches end position.
- Do not slide doors with excessive force. Install limiting stop to prevent door from opening too far.

#### 1.1.2 Intended use

- For sliding door in dry indoor areas only
- For manual slowly opening and closing only

#### 1.1.3 Glass requirements and fittings

- The substructure/wall must be able to bear permanent loads and be level (max. tolerance: 1/16" [2] per 39" [1m]).
- Fasteners must be sufficiently dimensioned for the substructure/wall and weight of the door.
- When adjusting glass components, always stick to the required clearance for the respective hardware. Adjust clearance so glass does not come in contact with any hard surfaces such as glass, metal or concrete.
- Do not use excessive force when installing the glass (avoid over tightening screws).

#### 1.1.4 Requirements for glass panel

- dormakaba requires use of fully tempered glass, which complies with ASTM C 1036 and ASTM C 1048. Secondary heat soaking processes are recommended but not required. This applies to both tempered monolithic and tempered laminated glass.
- Clamping area must be flat and uncoated (no self-cleaning coating!)
- Never use glass with conchoidal fractures and/or damaged edges.

#### 1.1.5 Safety instructions

- Installation requires two people.

- Only properly qualified and specially trained staff are authorized to mount dormakaba glass hardware.
- Due to crushing hazards and possible injury caused by breakage of glass during mounting, corresponding protective clothing (especially gloves and protective goggles) is required.
- Never clamp metal fitting hardware directly to glass surface.

#### 1.1.6 Symbols used - Safety/Installation



##### CAUTION

Mounting components must meet the requirements of substructure/wall and door weight. Please read the technical information for fittings.



##### WARNING

Risk of breaking glass. When installing the door, support the door panel with a block of wood or similar object.



##### TIPS AND RECOMMENDATIONS

Information note



##### CLOSING EDGE

#### 1.1.7 Maintenance, care, repair

- Immediately replace damaged parts.
- Always use original dormakaba parts.
- Clean clamping area with alcohol-based standard commercial cleaning agent before mounting the glass hardware.
- Use a damp cloth for occasional cleaning, especially the track.
- Always use silicone - and oil-free cleaners (e.g. acetone).
- Check glass hardware at regular intervals for proper positioning and smooth operation and correct adjustment.
- High traffic door systems require inspection by properly qualified staff (specialized companies or installation firms.)

#### 1.1.8 Disposal

Disposal in accordance with local, state and national regulations.

## 1.2 Tempered laminate glass (TLG) and adhesive specifications

Required parts for laminate glass with MUTO System (not included)	Part Number	Quantity	Usage recommendation
3M™ Scotch-Weld™ Urethane Adhesive, DP 605 NS	934.800	1 tube	1 tube per 4 roller carriers
3M™ Scotch-Weld™ EPX™ Plus II Applicator with 1:1 Plunger <sup>2</sup>	934.801	1 applicator	1:1 plunger with 934.800 adhesive
3M™ Scotch-Weld™ EPX™ Plus II Mixing Square Nozzle, 5.3mm <sup>3</sup>	934.805	Pk of 4	4 nozzles per 1 tube of adhesive
MUTO Accessory set (Clamp carrier plate/gasket for TLG)	807.640	1 set	
Handling time frame	Function	Time	
	Working life ( <i>time between application and clamping of carrier</i> )	5 minutes @ 75°F	
	Handling strength	20 minutes @ 73°F or more	
	Full cure time ( <i>ormal door usage not recommended until full cure time has been met</i> )	48 hours @ 73°F or more	

**NOTE: Door glass should not be installed until the full cure time as been reached (see chart above).**

**Important safety-related information for the mounting and use of dormakaba glass hardware.**

1.1 Clean clamping area with alcohol-based standard commercial cleaning agent before mounting the glass hardware.

1.2 Never clamp metal glass fitting hardware directly to glass surface.

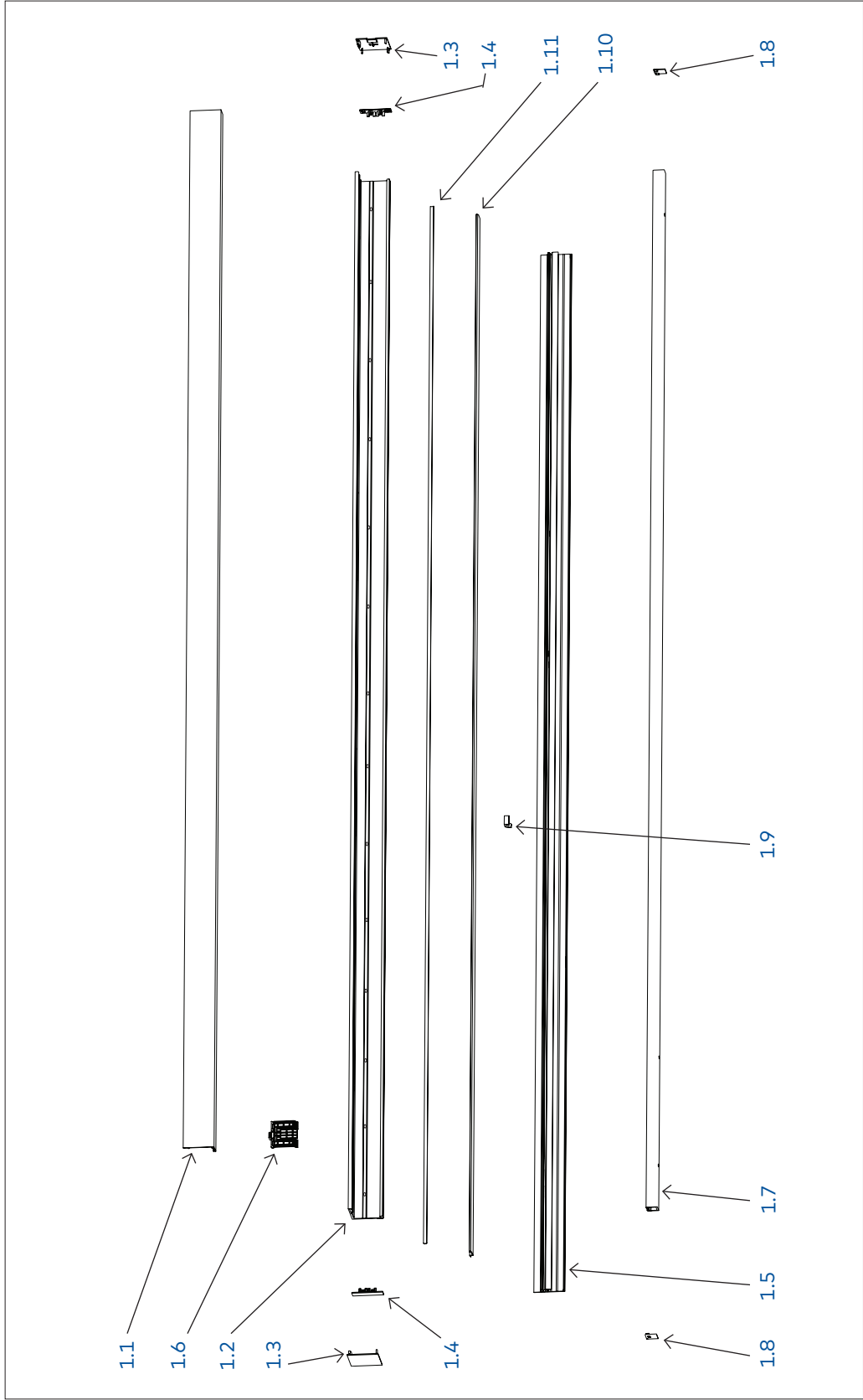
1.3 Never use clamping product on surfaces with self-cleaning coatings.

<sup>2</sup> Scotch-Weld™ EPX™ Plus II Applicator with 2:1 and 1:1 Plunger is a trademark of 3M.

<sup>3</sup> Scotch-Weld™ EPX™ Plus II Mixing Square Nozzle is a trademark of 3M.

# 2 Installation instructions

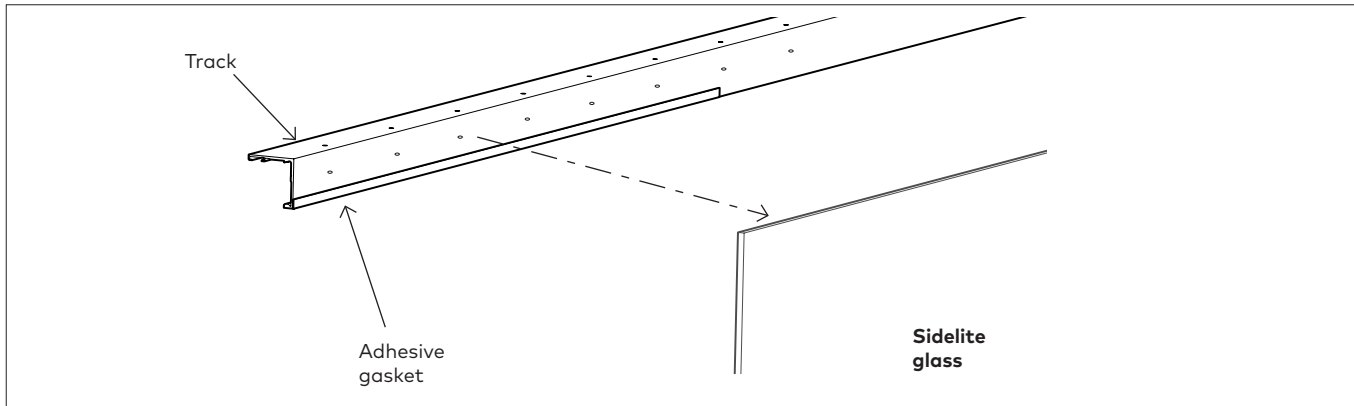
## 2.1 Overall



- 1.1 Cover
- 1.2 Track
- 1.3 End Cap
- 1.4 Sidelite end cap
- 1.5 Sidelite section profile
- 1.6 Cover clips
- 1.7 U-channel
- 1.8 U-channel end caps
- 1.9 View protection profile
- 1.10 Sidelite glass gasket
- 1.11 View protection clips

## 2.2 Securing gasket to track

Fig. 1 Sidelite gasket



2.2.1 Ensure track is cut to proper length.

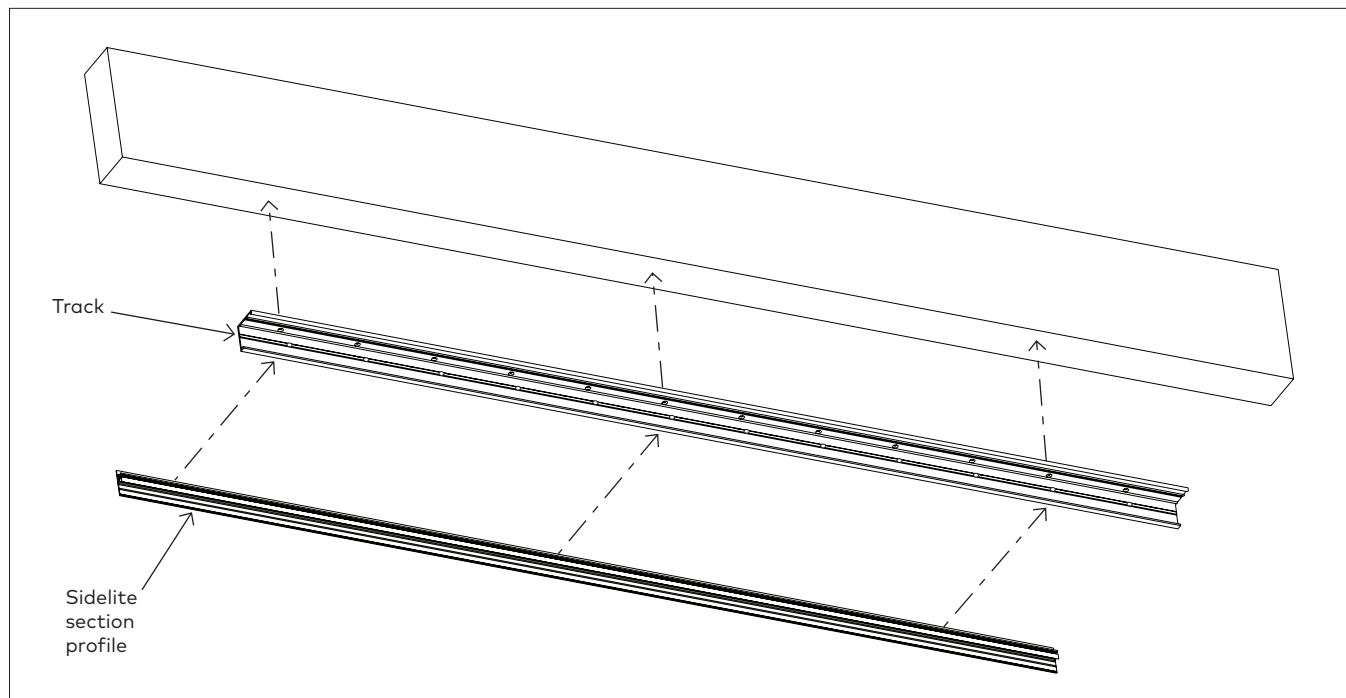
**NOTE: SEE DIMENSION INSTRUCTIONS ON PAGE 8.**

2.2.2 Cut adhesive gasket equal to track length.

2.2.3 Adhere gasket along bottom edge of back of track.

## 2.3 Secure sidelite section profile to track and mounting surface

Fig. 2 MUTO ceiling mount track



2.3.1 Align sidelite profile screw slot with track profile holes.

**NOTE: Holes will be predrilled every 7-7/8" [200].**

2.3.2 Secure with provided fasteners.

**NOTE:**

**OVERHEAD REINFORCEMENT:**

The overhead reinforcement must be a minimum of 1/4" [6] x 3" [76] steel angle, 16 gauge metal stud, or two pieces of 1 1/2" [38] thick wood blocking (double stacked), secured to studs or joists on a maximum 16" [406] centers for the length of the track. The overhead reinforcement may be flush on the overhead surface or on the interior of this surface.

2.3.3 Ensure track is properly level and secure it to the header mounting surface per the appropriate measurements on the following page.

**NOTE: SEE DIMENSION INSTRUCTIONS ON NEXT PAGE FOR REFERENCE.**

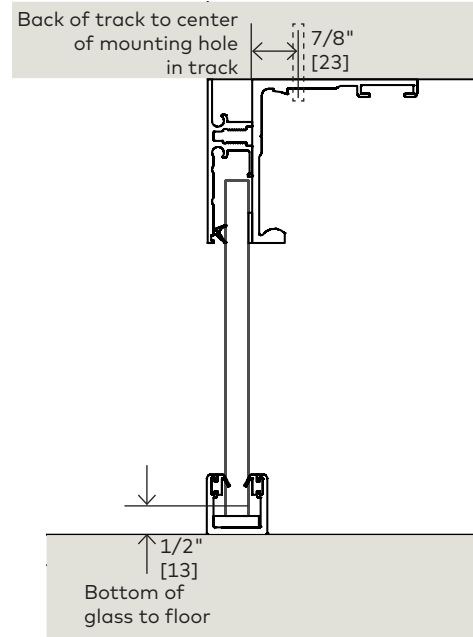
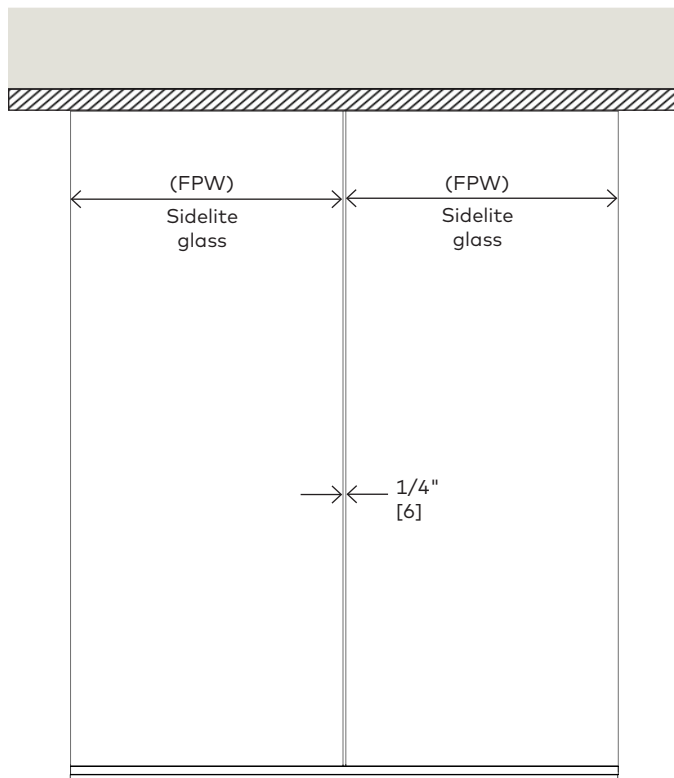
2.3.4 Use appropriate fasteners according to the following recommendations.

Track mounting screws must fully penetrate the steel angle, metal stud, or at a minimum of 2" [51] into wood blocking, utilizing the predrilled holes in the MUTO track.

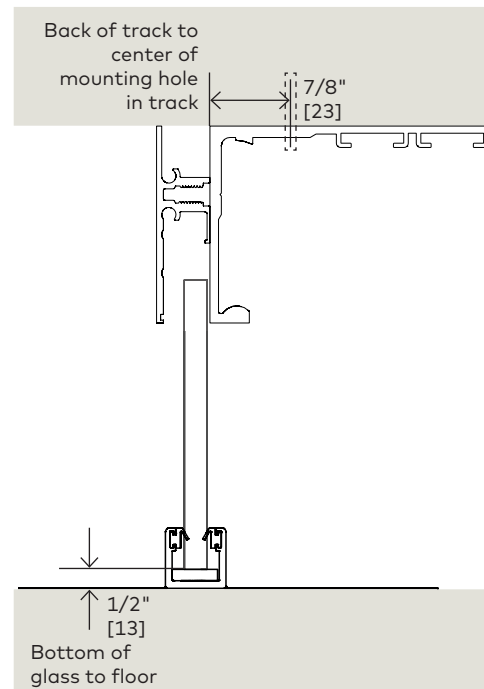
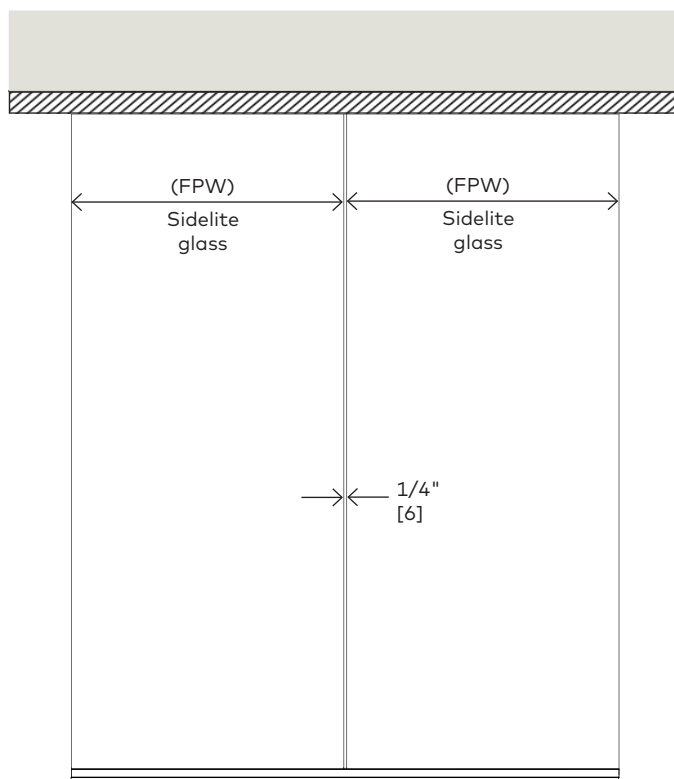
Consult with a structural engineer to determine if reinforcement is adequate for your specific application or to meet specific codes in your location.

## 2.4 Door/wall dimensions

### Sidelite mount: XL150/XL80/L80



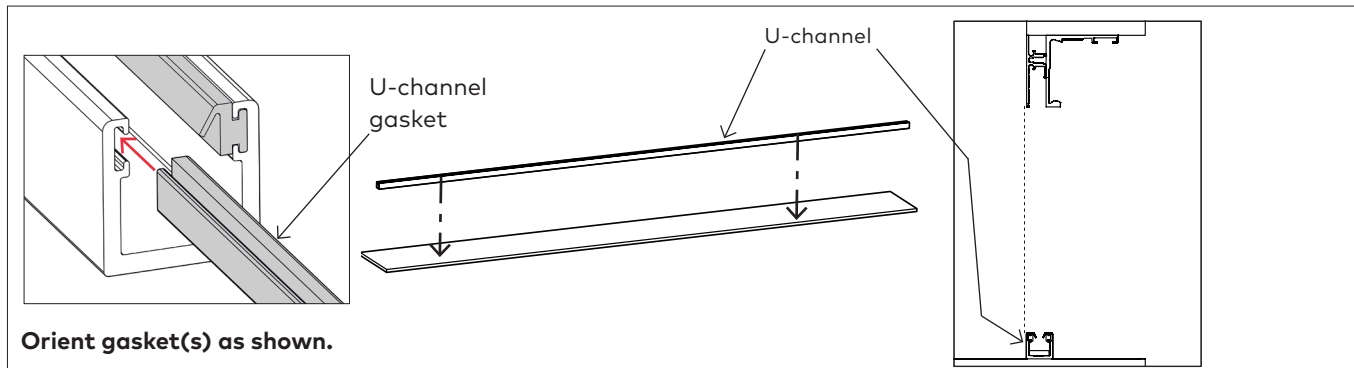
### Sidelite mount: XL120





## 2.5 Installing U-channel for sidelite

Fig. 3 U-channel



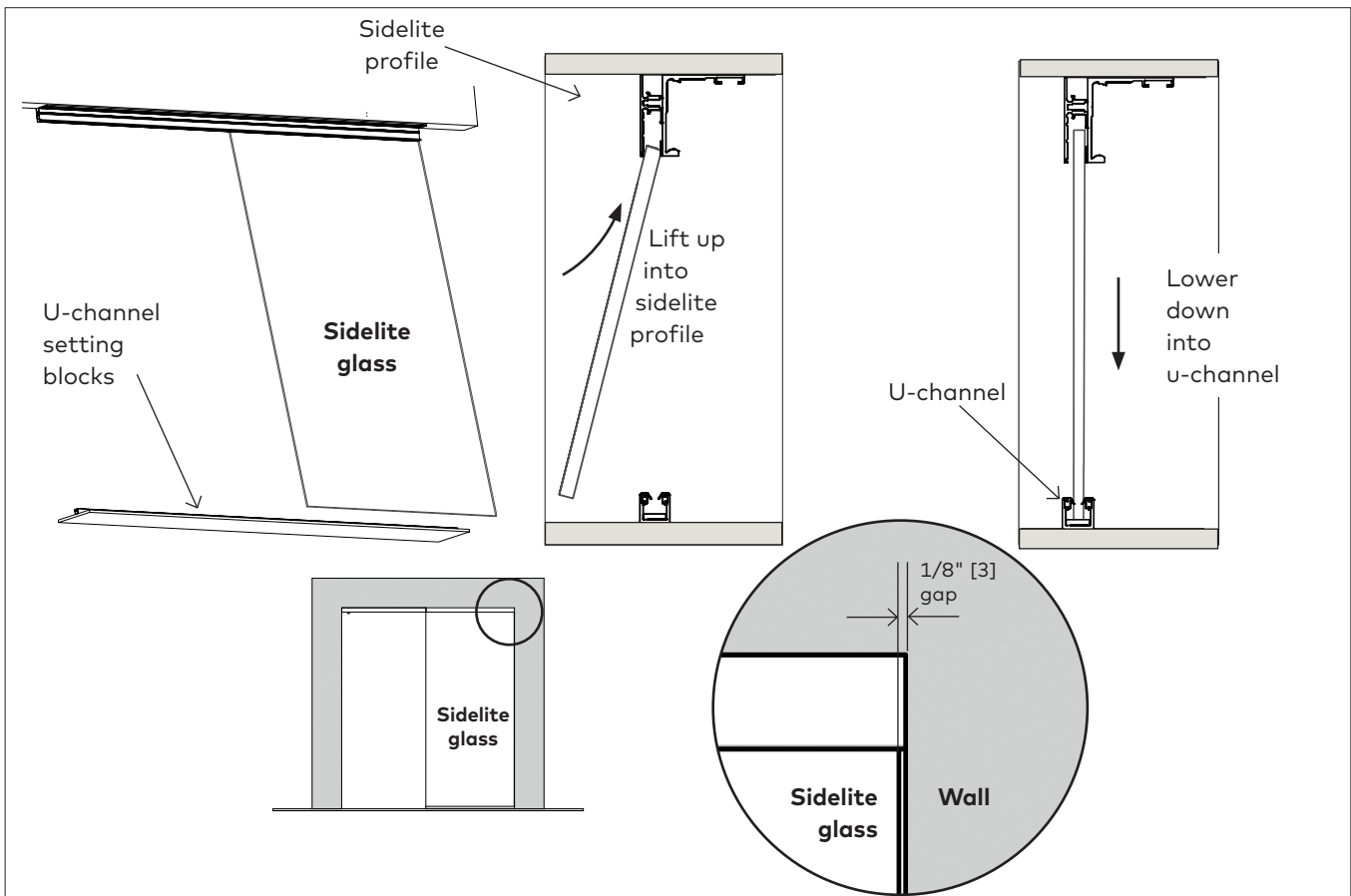
- 2.5.1 Install gaskets as shown. Trim to correct length.
- 2.5.1 Secure u-channel to floor using appropriate fasteners.

**NOTE: Ensure U-channel is plumb and the back of the u-channel profile aligns with back of sidelite profile.**

**NOTE: Gaskets are pre-installed.**

## 2.6 Installing sidelite glass

Fig. 4 Sidelite glass



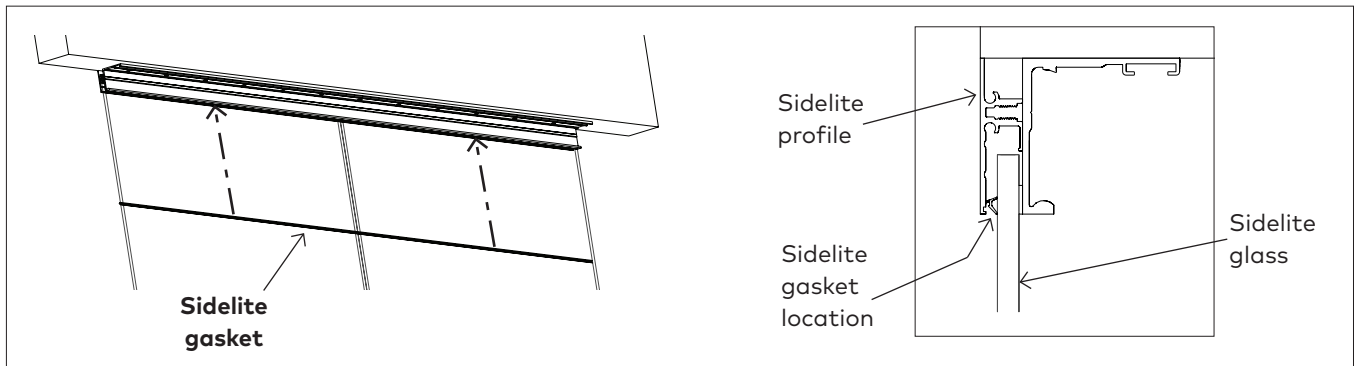
- 2.6.1 Place setting blocks into u-channel.
- 2.6.2 Spray inside of u-channel with glass cleaner.
- 2.6.3 Lift glass up and into sidelite profile.
- 2.6.4 Lower glass down into u-channel.
- 2.6.5 Ensure there is 1/8" [3] gap between wall and edge of sidelite glass.

**NOTE: If using tempered laminated glass, gently press glass against u-channel gasket, and dispense silicone along full length of non-gasket side of u-channel.**

**NOTE: If using multiple sidelite panels, ensure there is an adequate gap between each panel of glass.**

## 2.7 Installing sidelite glass gasket

Fig. 5 Sidelite gasket

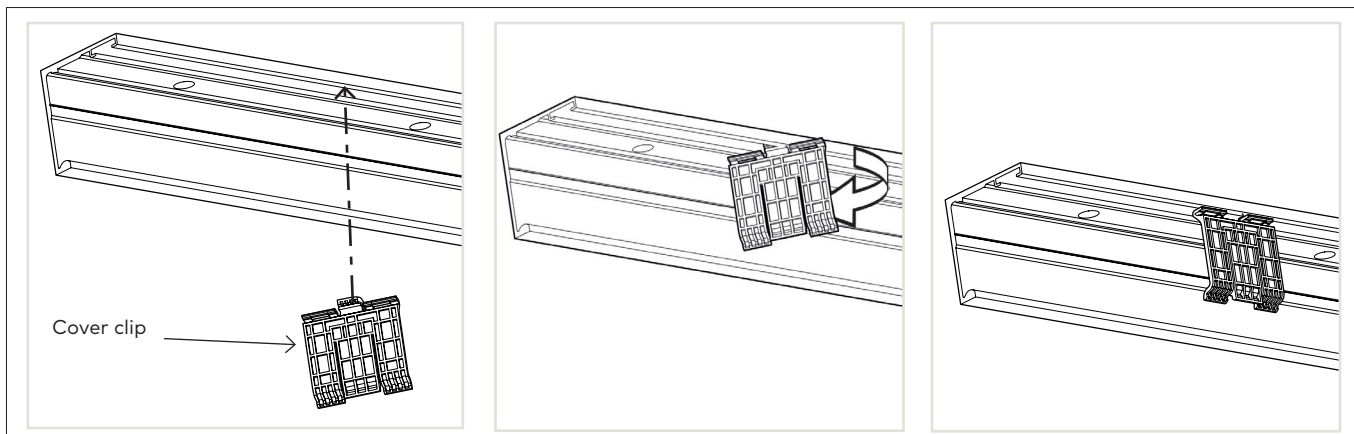


2.7.1 Cut gasket to length.

2.7.2 Press gasket in between sidelite glass and sidelite profile.

## 2.8 Install cover clips

Fig. 6 Cover clips



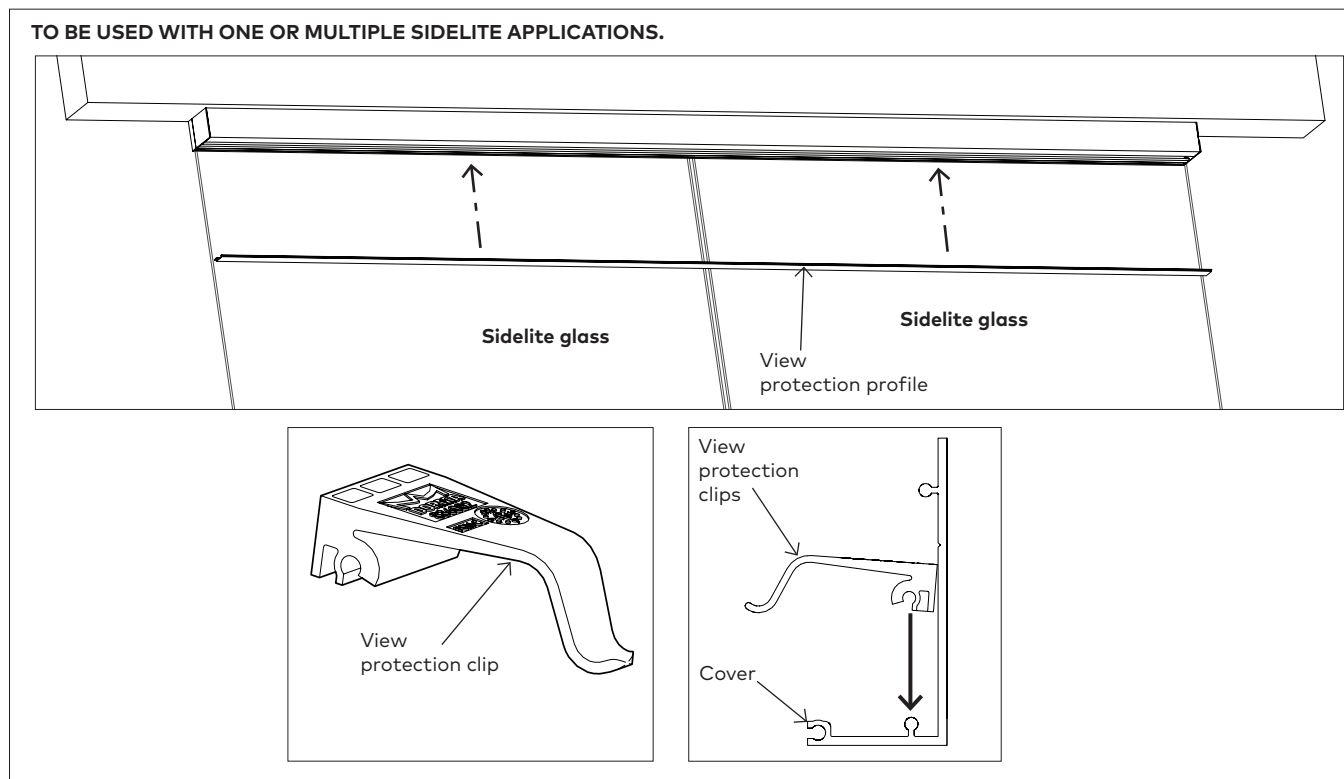
2.8.1 Insert cover clips into track.

2.8.2 Insert perpendicular to track, and turn **CLOCKWISE** to snap into place.

**NOTE: 1 clip per foot of cover extrusion.**

## 2.9 Install view protection clips

Fig. 7 View protection clips

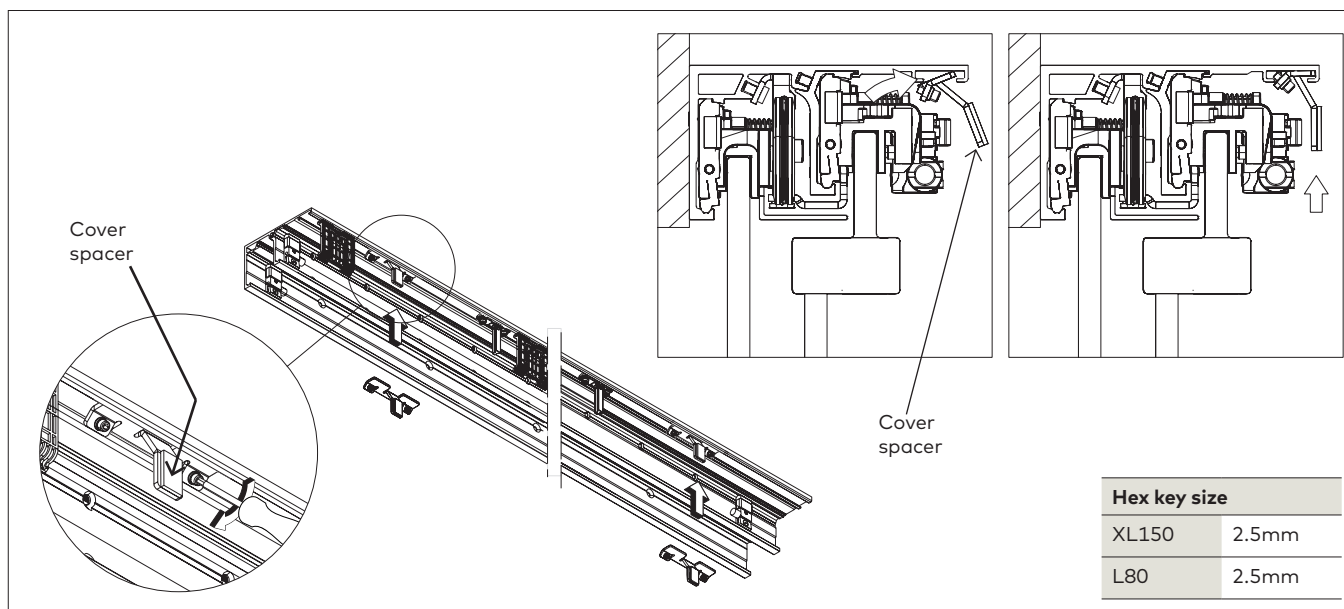


- 2.9.1 Measure and cut view protection profile to fit into empty sliding portion of track - 3/16" [5].
- 2.9.2 Snap view protection clips onto inside of cover as shown.

- 2.9.3 Use minimum 1 clip per foot of profile.  
**Exception: If profile is minimum of 1 foot in length, use 2 clips.**

## 2.10 Cover spacers

Fig. 8 Cover spacers

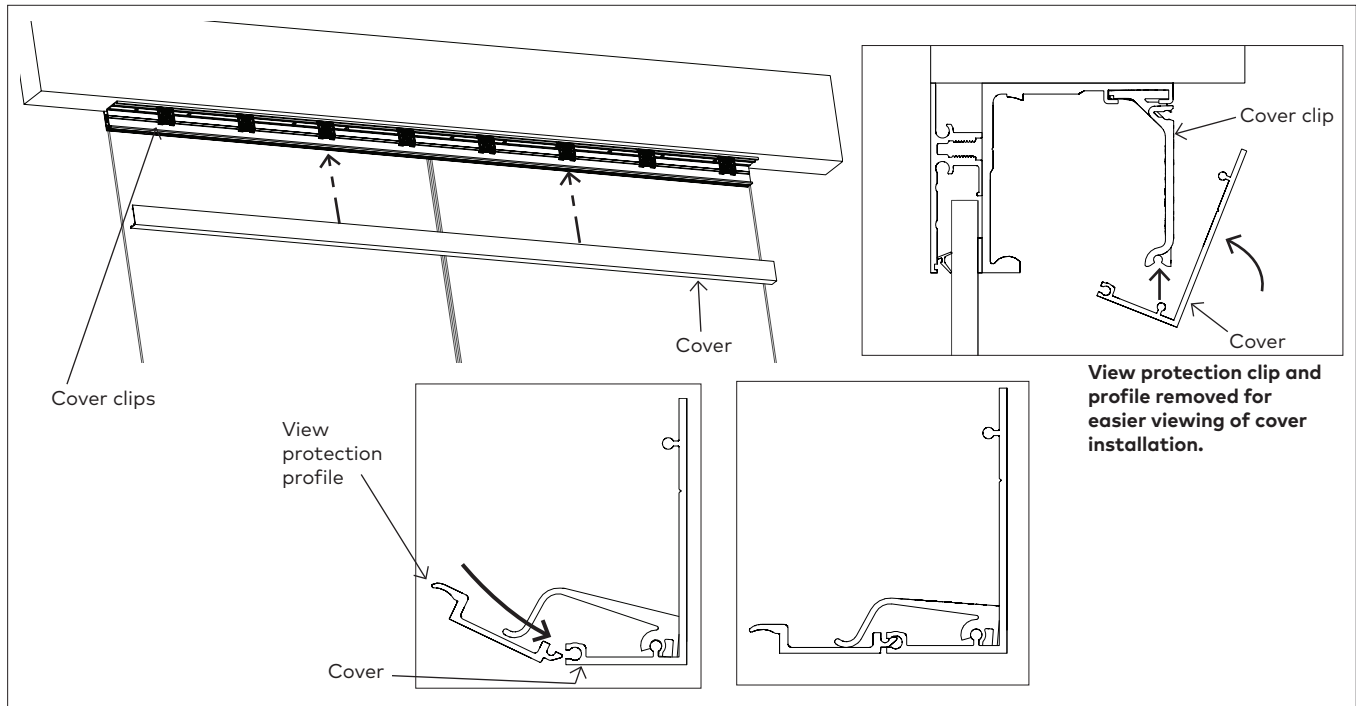


- 2.10.1 Tip cover spacers into outer most edge of track.

- 2.10.2 Place one at each end of track as shown.
- 2.10.3 Tighten at at 1 ft lbs [1Nm] or hand tighten.

## 2.11 Install cover and view protection profile

Fig. 9 Cover and profile



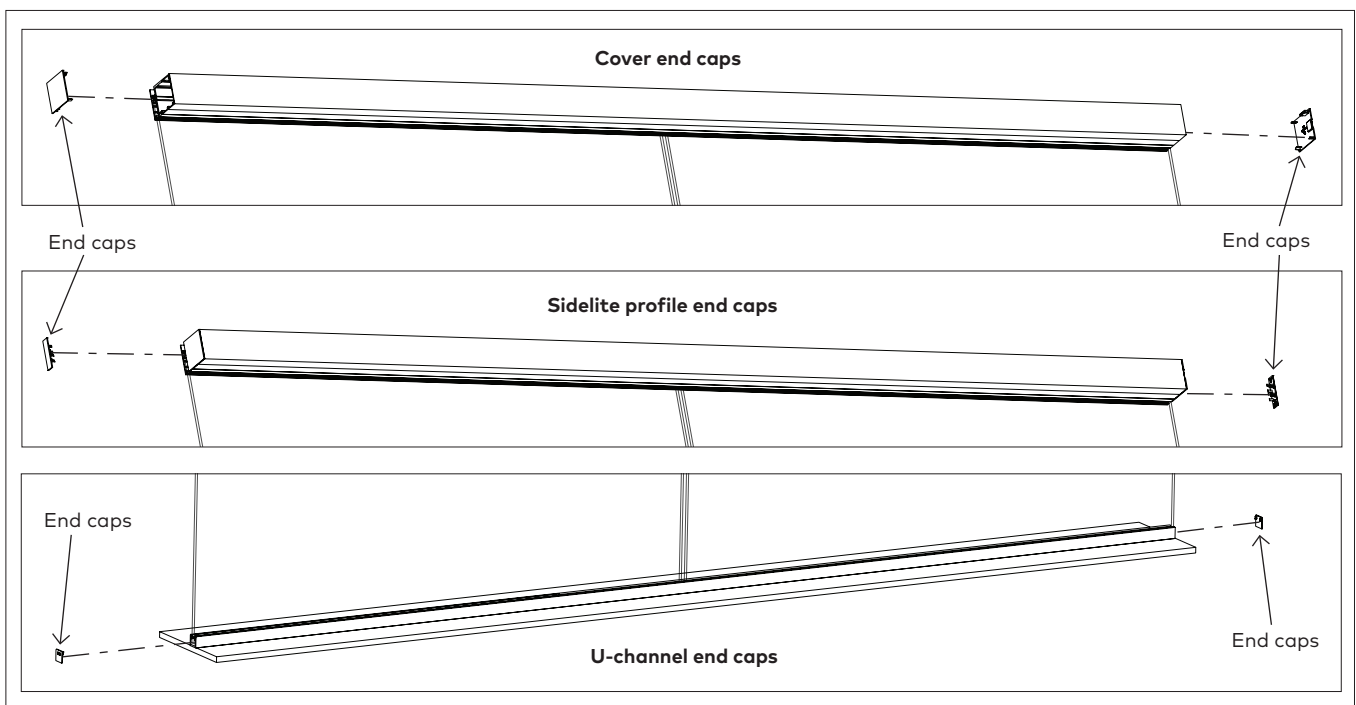
2.11.1 Secure cover to clips and snap into place.  
**NOTE: Roll cover from the bottom upwards. Ensure the bottom of the cover is supported by the groove in the cover clip.**

2.11.1 Once cover is in place, tip view protection profile up in between track and cover.

2.11.2 Snap into cover and onto track as shown.

## 2.12 Install end caps

Fig. 10 End caps



2.12.1 Snap end caps into cover.

2.12.2 Snap end caps into ends of sidelite profile.

2.12.3 Snap end caps into ends of u-channel.

